

Suction Port



Oasis™

DRY SUCTION WATER SEAL CHEST DRAIN



PRE-PACKAGED* WATER

SET UP

Step 1. Fill Water Seal to 2cm Line

Add 45ml of sterile water or sterile saline via the blue suction port located on top of the drain. A pre-packaged water ampoule is provided on the back of each Oasis drain (*illustration 1*).

Twist top off the ampoule and insert tip into suction port (*illustration 2*). Squeeze contents into water seal until fluid reaches 2cm fill line.

Step 2. Connect Patient Tube to Patient

Connect chest drain to patient prior to initiating suction.

Step 3. Connect Suction to Chest Drain

Attach suction line to blue suction port on top of chest drain (*illustration 3*).

Step 4. Turn Suction Source On

Increase suction source vacuum to -80mmHg or higher. Suction regulator is preset to -20cmH₂O. Adjust as required.

100% Latex-Free

100% MRI Compatible



illustration 1

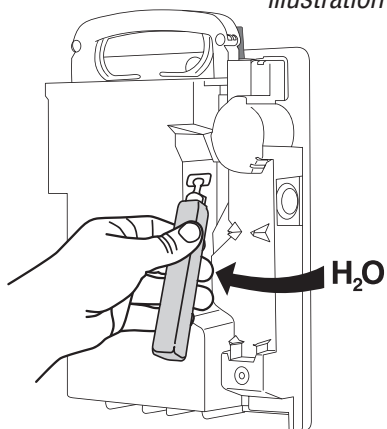


illustration 2

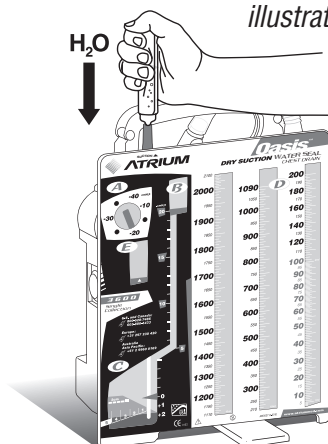
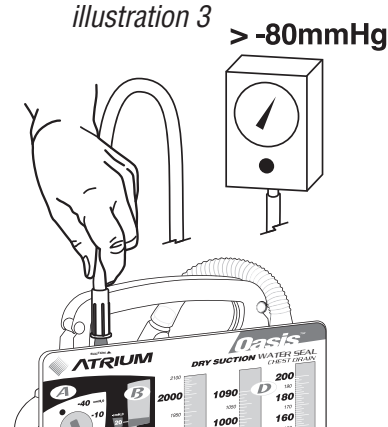


illustration 3



**Have a question or need help in a hurry?
Call Atrium toll free at 1-800-528-7486.**

*Patented



For additional education resources,
visit us at atriumuniversity.com.



ATRIUM

www.atriummed.com